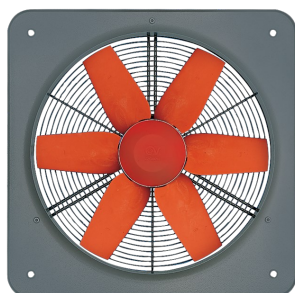


Technical Data Sheet

CODE 42314

MP 354 T

Medium-pressure plate axial fans



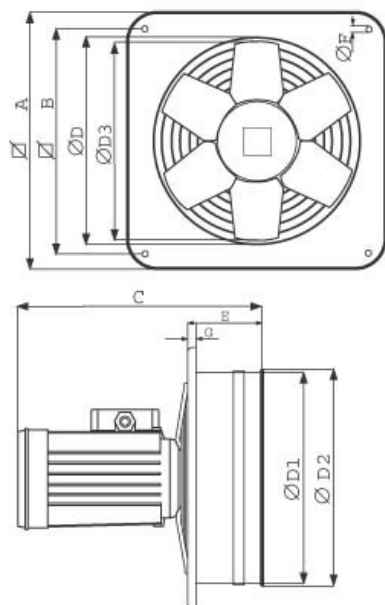
Certifications



TECHNICAL AND PERFORMANCE DATA

Absorbed Current at 220 V (A)	0,62	Max ambient temperature for continuous operation (°C)	70
Absorbed Current at 240 V (A)	0,64	Max. absorbed power at max speed (W)	210
Absorbed Current at 380 V (A)	0,36	Nominal Diameter (mm)	355
Absorbed Current at 415 V (A)	0,37	Number of Poles	4
Absorbed Current max (A)	0,64	Voltage (V)	220/380 240/415
Absorbed power at 220-380 V (W)	185	Weight (Kg)	10,2
Absorbed power at 240-415 V (W)	210	Delivery max (l/s)	875
Absorbed Power max (W)	210	Delivery max (m³/h)	3150
Frequency (Hz)	50	Pressure max (mmH2O)	18,4
Insulation Class	IP	Pressure max (Pa)	180
	55	RPM	1400
		Sound Pressure level Lp [dB (A)] 3m	64

DIMENSIONS



Size A (mm)	450
Size B (mm)	380
Size C (mm)	288
Size D (mm)	∅
	360
Size D1 (mm)	∅
	362,5
Size D2 (mm)	∅
	368
Size D3 (mm)	∅
	350
Size E (mm)	94
Size F (mm)	∅ 8
Size G (mm)	10

PER INFORMAZIONI:

Servizio al Cliente: tel +39 02 90699395 premendo 1 dopo messaggio registrato (consulenza su prodotti e impianti)

Pre & Post Vendita: fax +39 02 90699302

Email prevendita: prevendita@vortice-italy.com

Technical Data Sheet

CODE 42314

MP 354 T

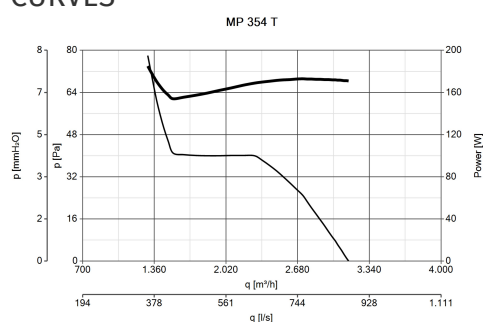
Medium-pressure plate axial fans



DESCRIPTION

- Nominal diameter 350 mm
- Wall-mounting panel manufactured from phosphated pressed steel, polyester powder coated with hammered effect finish, guaranteeing long-term resistance to atmospheric agents.
- Ventilation port fashioned in one piece with the panel and gauged to optimize air flow.
- Protective grille (in accordance with UNI ISO 13857 standard) combining the function of motor bracket, made of electrically welded steel with epoxy paint finish, colour black. Easy removal simplifies maintenance and cleaning of the fan.
- 1 speed asynchronous three-phase AC motor with shaft turning in double shielded ball bearings, insulation class F.
- Maximum air flow 3,150 m³/h
- Impeller with 6 wing profile blades keyed to a diecast aluminium hub and dynamically balanced (UNI ISO 1940 – Balancing class 6.3), optimized to deliver maximum performance and low noise levels, moulded from filled polypropylene for superior dimensional stability and resistance to atmospheric agents.
- Vortice speed controllers.

CURVES



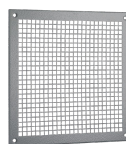
ACCESSORIES



IRT 15
Code 12923



PGR 350
(PERSIANA
GRAVITA')
Code 50350



TRA 350
(TELAIO CON
RETE ANTINF.)
Code 51350



DPU 350
(Distanziatore)
Code 52351



Iret Inverter
2,5 M
Code 12816

PER INFORMAZIONI:

Servizio al Cliente: tel +39 02 90699395 premendo 1 dopo messaggio registrato (consulenza su prodotti e impianti)

Pre & Post Vendita: fax +39 02 90699302

Email prevendita: prevendita@vortice-italy.com